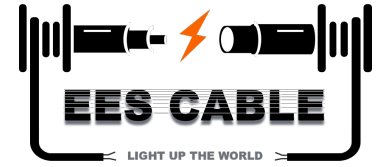


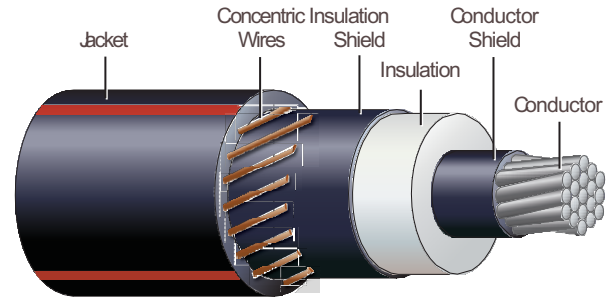
15kV Aluminum Conductor 90° C (100% – .175") Concentric Cable Medium Voltage



Underground Residential Distribution Cable (URD)

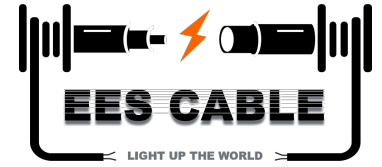
15kV Aluminum Conductor 90°C
(100% – .175")

- Conductor Shield – Semi-Conducting Layer
- Insulation – TRXLPE
- Insulation Shield – Semi-Conducting Layer
- Concentric Wires – One-third and Full Neutral
- Jacket – Non-Conducting Polyethylene (LLDPE) with 3 Red Stripes, Semi-Conducting Available



Aluminum	Conductor		Copper Neutral		Diameter* (per ANSI/ICEAS-94-649)				Weights (lbs/ft)			
	AWG or kcmil	Number of Strands	Number of Wires	Size AWG	Conductor	Min. Over Insulation	Max. Over Insulation	Over Embedded Jacket	Conductor	Neutral	Total Without Jacket	Total With Embedded Jacket
Full Neutral	2	SOLID	10	14	0.258	0.610	0.695	0.960	0.0611	0.130	0.356	0.477
	2	7	10	14	0.283	0.635	0.720	0.990	0.0623	0.130	0.370	0.487
	1	SOLID	13	14	0.289	0.645	0.725	0.995	0.0785	0.173	0.424	0.543
	1	19	13	14	0.322	0.675	0.760	1.015	0.0785	0.173	0.437	0.556
	1/0	SOLID	16	14	0.325	0.680	0.760	1.030	0.0972	0.210	0.494	0.615
	1/0	19	16	14	0.362	0.715	0.800	1.055	0.0991	0.210	0.510	0.632
	2/0	19	13	12	0.406	0.760	0.845	1.100	0.1249	0.276	0.616	0.760
	3/0	19	16	12	0.456	0.810	0.895	1.170	0.1575	0.340	0.730	0.874
One-Third Neutral	4/0	19	20	12	0.512	0.865	0.950	1.235	0.1986	0.425	0.875	1.030
	1/0	SOLID	6	14	0.325	0.680	0.760	1.030	0.0972	0.080	0.356	0.460
	1/0	19	6	14	0.362	0.715	0.800	1.055	0.0991	0.080	0.373	0.515
	2/0	19	7	14	0.406	0.760	0.845	1.100	0.1249	0.094	0.434	0.575
	3/0	19	9	14	0.456	0.810	0.895	1.150	0.1575	0.120	0.510	0.655
	4/0	19	11	14	0.512	0.865	0.950	1.200	0.1986	0.147	0.598	0.759
	250	37	13	14	0.558	0.920	1.005	1.265	0.2347	0.174	0.684	0.889
	350	37	11	12	0.661	1.025	1.110	1.390	0.3286	0.238	0.913	1.175
	500	37	16	12	0.789	1.150	1.235	1.550	0.4694	0.341	1.207	1.498
750	61	15	10	0.968	1.340	1.425	1.805	0.7040	0.508	1.685	2.057	
1000	61	20	10	1.117	1.485	1.575	2.025	0.9387	0.683	2.210	2.516	

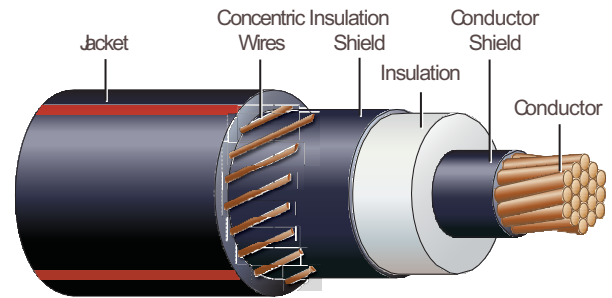
15kV Copper Conductor 90° C (100% – .175") Concentric Cable Medium Voltage



Underground Residential Distribution Cable (URD)

15kV Copper Conductor 90°C
(100% – .175")

- Conductor Shield – Semi-Conducting Layer
- Insulation – TRXLPE
- Insulation Shield – Semi-Conducting Layer
- Concentric Wires – One-third and Full Neutral
- Jacket – Non-Conducting Polyethylene (LLDPE) with 3 Red Stripes, Semi-Conducting Available



Copper	Conductor		Copper Neutral		Diameter* (per ANSI/ICEAS-94-649)				Weights (lbs/ft)			
	AWG or kcmil	Number of Strands	Number of Wires	Size AWG	Conductor	Min. Over Insulation	Max. Over Insulation	Over Embedded Jacket	Conductor	Neutral	Total Without Jacket	Total With Embedded Jacket
Full Neutral	2	7	16	14	0.283	0.635	0.720	0.990	0.205	0.232	0.642	0.700
	1	19	13	12	0.322	0.675	0.760	1.015	0.259	0.300	0.504	0.570
	1/0	19	16	12	0.362	0.715	0.800	1.090	0.326	0.370	0.923	0.993
	2/0	19	20	12	0.406	0.760	0.845	1.135	0.411	0.462	1.107	1.176
	3/0	19	25	12	0.456	0.810	0.895	1.150	0.518	0.578	1.334	1.402
One-Third Neutral	4/0	19	20	10	0.512	0.865	0.950	1.280	0.653	0.740	1.642	1.708
	1/0	19	9	14	0.362	0.715	0.800	1.055	0.326	0.131	0.708	0.777
	2/0	19	11	14	0.406	0.760	0.845	1.100	0.411	0.160	0.836	0.907
	3/0	19	14	14	0.456	0.810	0.895	1.130	0.518	0.203	1.002	1.074
	4/0	19	11	12	0.512	0.865	0.950	1.200	0.653	0.255	1.227	1.317
	250	37	13	12	0.558	0.920	1.005	1.265	0.772	0.301	1.427	1.546
	350	37	12	10	0.661	1.025	1.110	1.425	1.080	0.440	1.904	2.055
	500	37	17	10	0.789	1.150	1.235	1.595	1.544	0.623	2.664	2.823
	750	61	25	10	0.968	1.340	1.425	1.875	2.316	0.917	3.794	3.964
1000	61	26	9	1.117	1.485	1.575	2.015	3.088	1.211	4.948	5.127	